

Wiha Magazine Family

Intelligent bit storage –

Efficiency at its best



wiha 
Premium Tools

Magazine Bit Holder LiftUp

World's first VDE-tested magazine holder



Magazine bit holder LiftUp electric

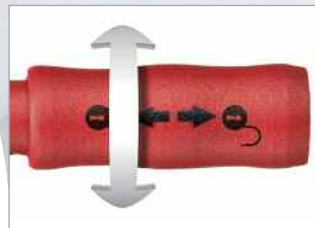
- Six slimBits in handle – replaces 6 screwdrivers
- Ideal for use on the move
- slimBit and magazine bit holder are individually VDE-GS certified according to IEC 60900:2012



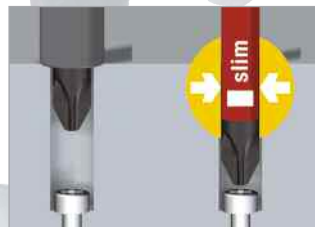
Turnable cap enables a convenient increase of the axial force



Internal metal construction ensures bit holder doesn't wear



Precise work – additional guidance with free-running sleeve

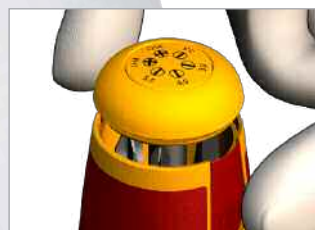


slimTECHNOLOGY

- Unlimited access
- Maximum safety – VDE and GS-tested



Ergonomic SoftFinish multi-component handle enables powerful and comfortable work



The bit magazine extends out upon simultaneous pressing of both buttons



reddot award 2014
best of the best





Magazine bit holder LiftUp 25

- 12 screwdrivers in one –
for extremely versatile applications
- Magnetic bit holder
- Variants of bit contents
are available



Magazine bit holder LiftUp 70

- For a range of applications with six 70 mm
bits style E6.3 in handle
- Particularly simple bit removal
- Also ideal for use with a battery-powered
screwdriver
- Many variants of bit contents
are available



Wiha Magazine Bit Holder

Everything in the palm of your hand



reddot design award
best of the best 2008

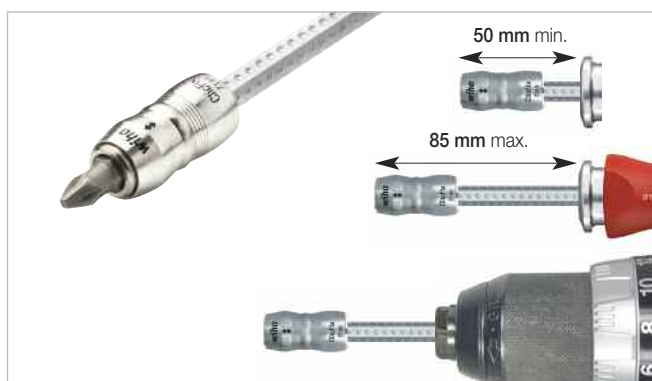


- 8 profiles in handle
- With integrated, swivelling bit magazine
- Unique fold-out mechanism
- Handy & compact
- Ergonomic SoftFinish® area
- Magnetic bit holder



Magazine bit holder telescopic

- Adjustable blade length from 50 – 85 mm in 3 mm increments
- ClickStop ball clamp for a secure hold and quick length adjustment
- ClicFix quick release holder, magnetic
- Adapter blade also suitable for use in battery-powered screwdrivers



The bit magazine hidden in the handle is pivoted open with a light press of the thumb. The bits can then be exchanged quickly and simply. Simply Wiha – innovative and efficient.



Stubby

Small, but wow!

Small format – great professional quality:

- The Wiha Stubby magazine bit holder features a clever magazine for accommodating six bits
- With the short-length, ergonomic Wiha SoftFinish® multi-component handle it allows comfortable working in confined places



Magazine bit holder Stubby

- Gets everywhere
- Has six bits in the cap
- Fits perfectly in your hand
- Ideal for professional work in confined spaces



Sales counter displays

Topra 2K

Power variants up to 20 Nm



- Ergonomic pistol handle for high torques
- Ideal for powerful screw fixing up to 20 Nm



Ergonomically shaped pistol handle for optimal guidance and maximum axial power transmission without tilting torque.



Finely serrated ratchet mechanism (with 72 teeth) and 5° switching angle.

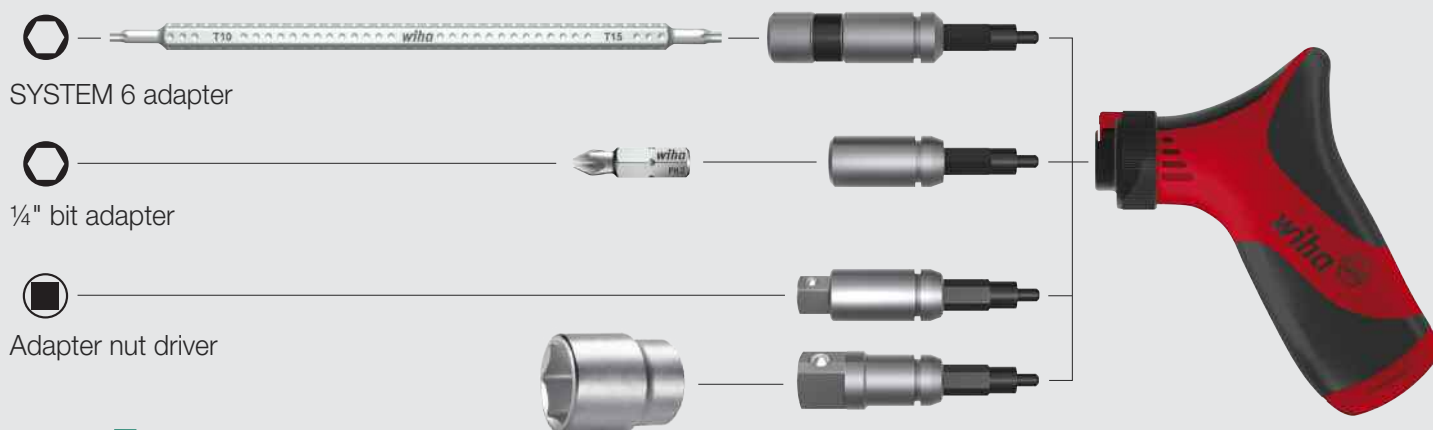


Turbo wheel for extremely fast turning and sensitive fastenings in small switching steps.



Mechanical locking of the adapter. Unlocks upon the press of a button.

Topra 2K family system – complete universality



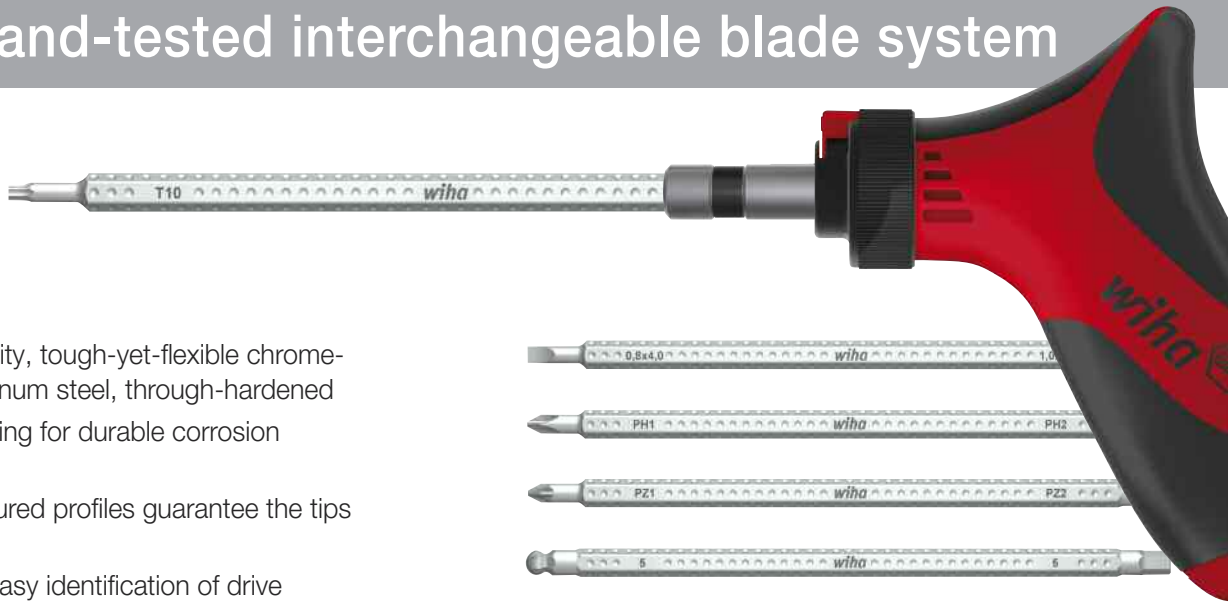
SYSTEM 6 adapter

1/4" bit adapter

Adapter nut driver

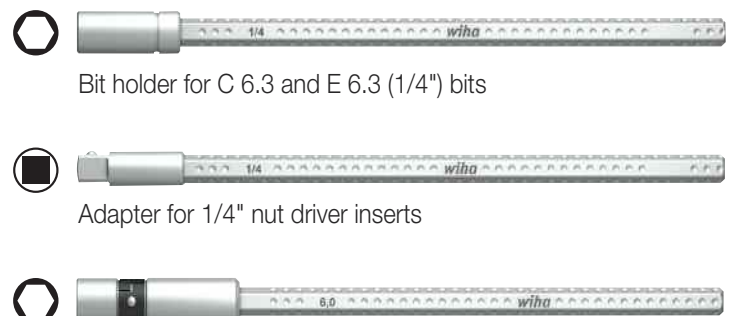
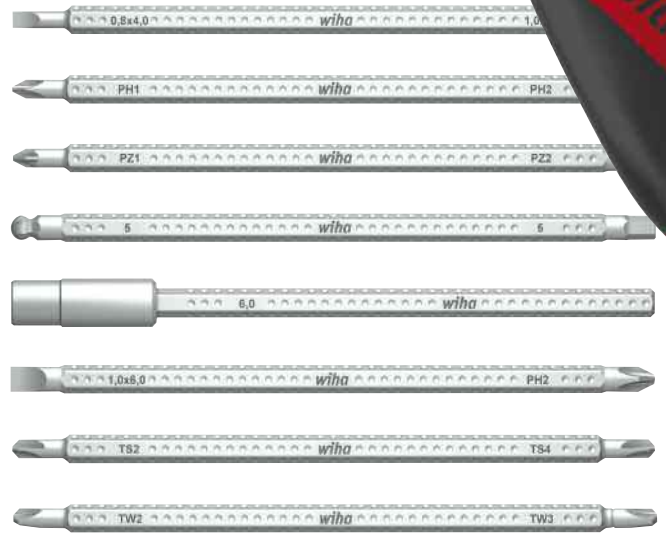
Topra 2K SYSTEM 6

The tried-and-tested interchangeable blade system



- Blades of high-quality, tough-yet-flexible chrome-vanadium-molybdenum steel, through-hardened
- Titanium silver coating for durable corrosion protection
- Precisely manufactured profiles guarantee the tips maintain their form
- Laser marking for easy identification of drive
- Broad blade range:

Slotted							Phillips			Pozidriv					
3,5	4,0	4,5	5,5	6,0	6,5	8,0	PH1	PH2	PH3	PZ1	PZ2	PZ3			
•	•	•	•	•	•	•	•	•	•	•	•	•			
Hexagonal					Hexagonal nut driver										
2,5	3	4	5	6	4	4,5	5	5,5	6	7	8	9	10	11	13
•	•	•	•	•	•	•	•	•	•	•	•	•	•	•	•
TORX®															
T6	T7	T8	T9	T10	T15	T20	T25	T30	T40						
•	•	•	•	•	•	•	•	•	•	•					
TORX® TR															
T6H	T7H	T8H	T9H	T10H	T15H	T20H	T25H	T30H	T40H						
•	•	•	•	•	•	•	•	•	•	•					
Tri-Wing®						Torq-Set®									
TW0	TW1	TW2	TW3	TW4	TW5	TS2	TS4	TS6	TS8						
•	•	•	•	•	•	•	•	•	•	•					



Bit holder for C 6.3 and E 6.3 (1/4") bits

Adapter for 1/4" nut driver inserts

100 mm extension for SYSTEM 6 blades

Topra 2K bit

Power variants up to 20 Nm

- Six 25 mm bits in the handle
- 1/4" bit holder, magnetic, exchangeable
- Rotary wheel enables sensitive fastening in small, 5° switching steps
- Many variants of bit contents are available





Wiha magazines – efficiency at its best

- Ideal for use on the move
- Saves space and weight – does the job of 6 screwdrivers
- Universal use
- Ergonomic handle design

wiha



Premium Tools

70 years
Innovation.
Quality.
Reliability.

Your stockist:

wiha 
Premium Tools

Wiha Werkzeuge GmbH
Obertalstraße 3–7
D-78136 Schonach/Germany
Tel. +49 7722 959-0
Fax +49 7722 959-159 Inland
Fax +49 7722 959-155 Export
info@wiha.com
www.wiha.com