

STABILA®



...sets standards



LA-4P 4-point laser

Lightning fast. Laser precise. Self-levelling.
One-hand operation.

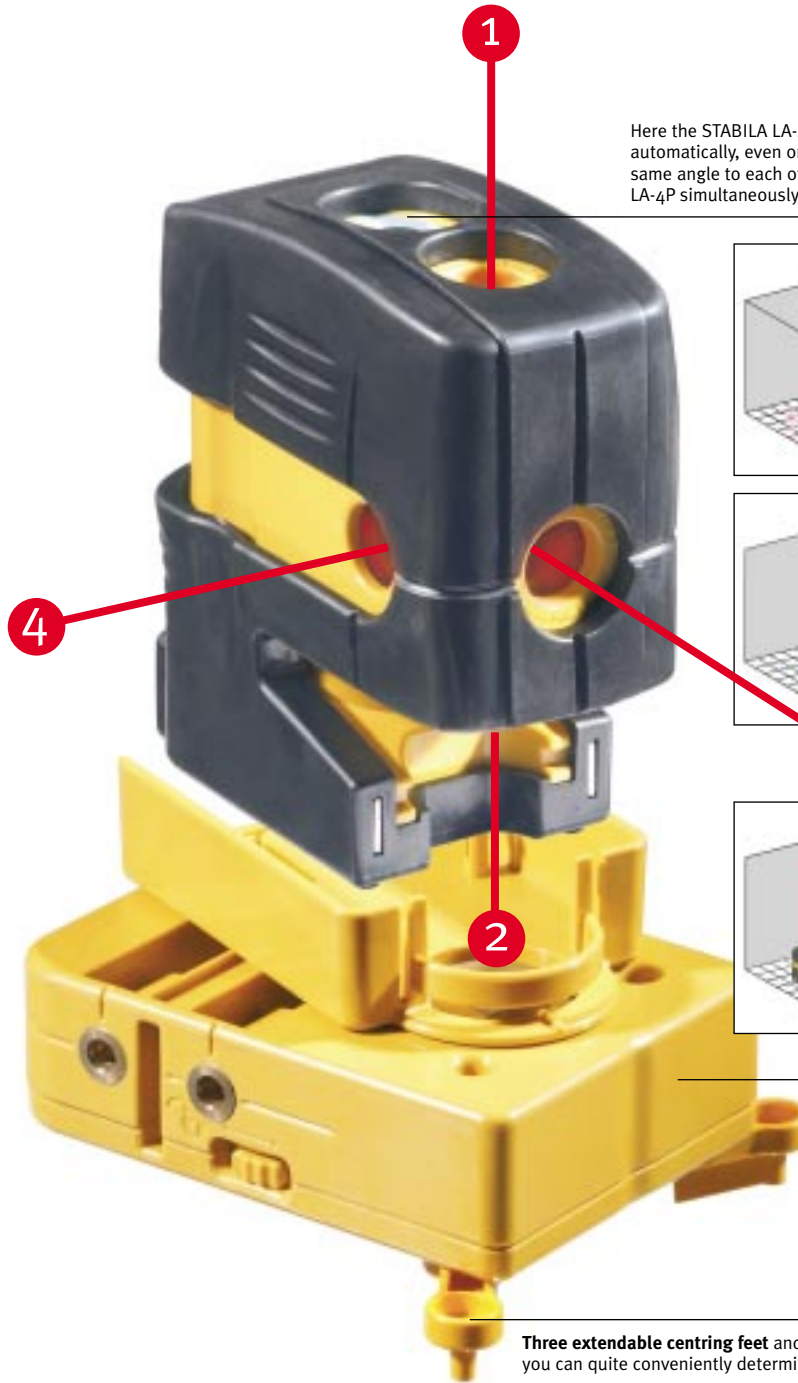


▶ One button ▶ Just press ▶ Three lasers ▶ Do-it ▶ ▶ ▶ ▶ ▶

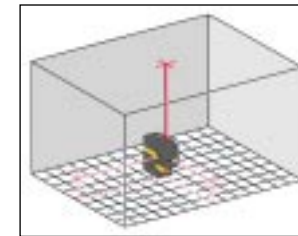
Interior construction and dry walling: Align (mark out) partitions freely, at right angles in a room ■ Transfer the position of U-profiles from the floor to the ceiling ■ Mark the direction of profiles – even with right angles ■ **Timber frame construction and carpentry:** Align free-standing walls and mark their position ■ Determine the position of individual or rows of uprights, e. g. in roof construction ■ Align ready-made and lightweight building elements ■ Align timber constructions outdoors ■ Measure the position and height of points for footings ■ **Steel construction, metalworking, etc.:** Set the position of rows of steel supports ■ Measure the direction and height of rail systems – e. g. crane tracks and hoists ■ Stair banisters, balcony rails, etc. ■ **Installation:** Install service shafts, determine wall and ceiling piercings, position strip lights ■ **Concrete and masonry construction:** Establish the height and direction of minor foundation work such as slit foundations ■ Level ring bolt shuttering ■ Mark the position and direction of partitions ■ Transfer drops and parapet heights.

However you twist and turn the small, compact STABILA LA-4P 4-point laser, it very quickly makes itself indispensable. If you also purchase laser goggles and a wooden folding rule from STABILA purchase, you can resolve the most difficult measuring tasks lightning fast and with laser precision.

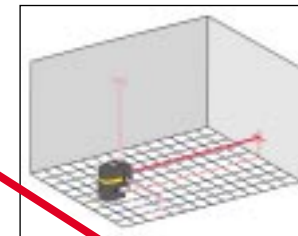
Three rare earth magnets hold the STABILA LA-4P firmly to metal posts.



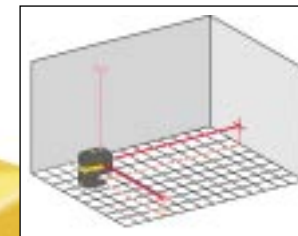
Here the STABILA LA-4P is switched on. It levels itself immediately, completely automatically, even on uneven surfaces. The laser beams are always at precisely the same angle to each other. With a single press of the button, you can use the STABILA LA-4P simultaneously as a **horizontal laser, a 90° angle laser and a plumbline laser.**



How to use the self-levelling STABILA LA-4P as a **plumbline laser:** Align the lower laser dot (2) on the reference point. The upper laser dot (1) marks the perpendicular.



How to use the self-levelling STABILA LA-4P as a **horizontal laser:** From the starting point (2), direct the laser beam (3) on to its target. You can, for instance, level horizontally, draw straight lines and establish quantity surveys.



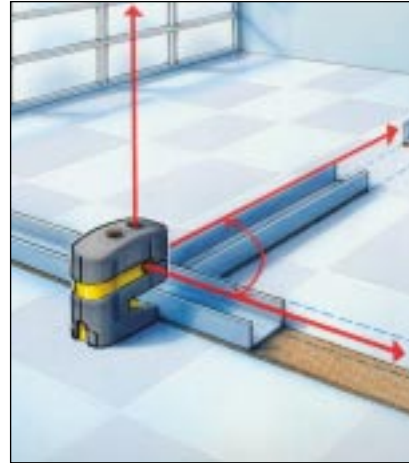
How to use the self-levelling STABILA LA-4P as a **90° angle laser:** Set the laser on the desired starting point (2), the laser beams (3) and (4) project at right angles two target dots at exactly the same height. Now, for instance, you can perfectly align paving tiles, partitions and other building elements.

The standard **multi-purpose platform** extends the field of application. It has a pivotable support, to which the LA-4P is docked. You can screw the platform to walls, tie it on round posts and / or, because of its built-in rare earth magnets, mount it firmly on iron or steel elements. The platform also has extendable centring feet for use in pipes.

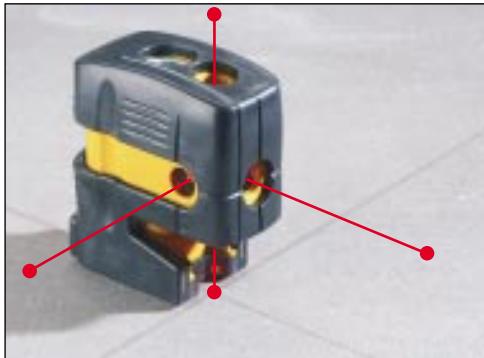
Three extendable centring feet anchor the platform in the centre of pipes so, for instance, you can quite conveniently determine the perpendiculars for drilling waste pipes.



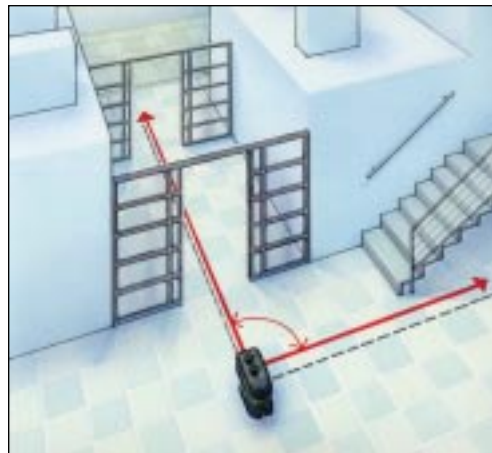
STABILA LA-4P 4-point laser:



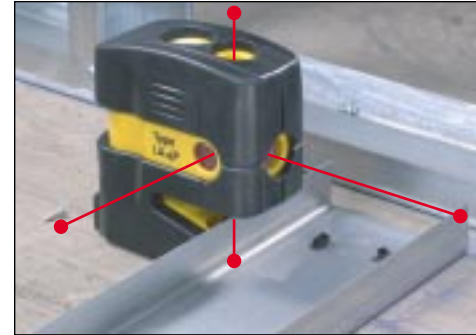
The STABILA LA-4P 4-Punkt-Laser emits 4 laser dots simultaneously: upwards, downwards, forwards and laterally, in a right angle. This enables you, for instance, to install internal construction elements perfectly perpendicularly, in precise prolongation and at right angles to each other.



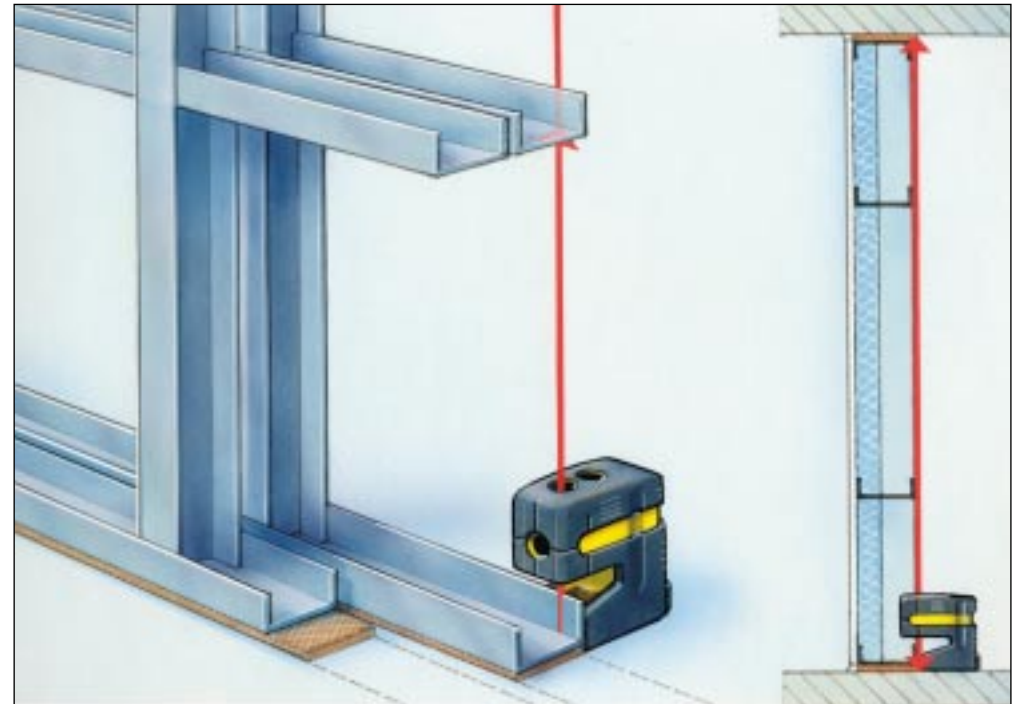
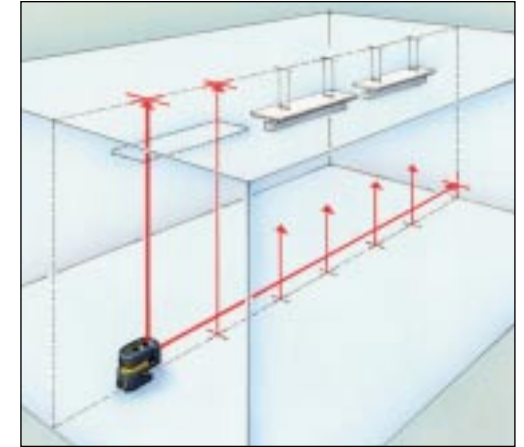
The STABILA LA-4P 4-point laser is an ideal partner in your work – self-levelling, handy, compact, extremely versatile with a wide range of applications and ready to use immediately. The robust casing and the impact-absorbing rubber cover make it absolutely ideal for building sites.



Horizontal laser + 90° angle laser + plumbline laser in postcard format.



If you use the STABILA LA-4P as a horizontal and plumbline laser, you can, for instance, establish a baseline and from there send perpendiculars to the ceiling.





STABILA LA-4P 4-point laser:

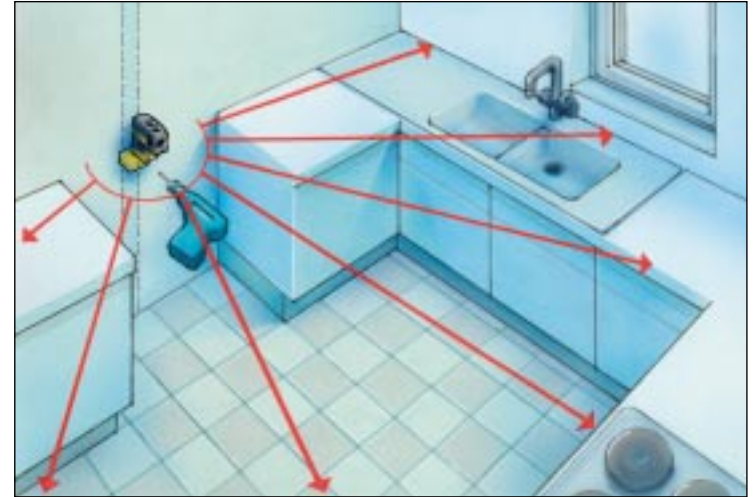


The **multi-purpose platform** supplied as standard significantly increases the LA-4P 4-point laser's range of application. It has three rare earth magnets (5 x stronger than normal ferrite magnets) for a rock-steady hold on steel and iron. The platform can also be fastened to round and angular elements using a strap threaded through its guide slots. The laser can be pivoted on the platform.

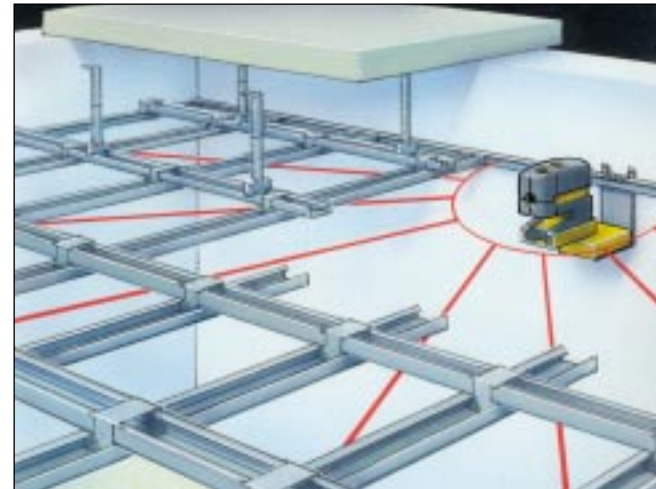


There are three extendable centring feet under the multi-purpose platform. These fasten the unit in the pipe. The laser's Plumblining function is centred in the pipe automatically.

Including multi-purpose platform and wall bracket for genuine universal use.



The multi-purpose platform can be screwed directly to the wall or fitted to the wall bracket supplied using its magnets. The wall bracket can be screwed on, nailed on and / or hung on rails.



The wall bracket and multi-purpose platform with a pivotable laser support make the STABILA LA-4P the multi-function measuring instrument for interior construction work.

STABILA®



...sets standards



LA-4P 4-point laser

Multi-purpose platform

Wall bracket

Reflector plate

Case

LA-4P Set: LA-4P 4-point laser, multi-purpose platform, wall bracket, reflector plate, case.

	Output	Laser wavelength	Self-levelling range (horizontal)	Level Beam Accuracy*	Square Beam Accuracy*	Up Beam Accuracy*	Down Beam Accuracy*	Range	Batteries (included)						
	<p>LASER RADIATION - CLASS 2 EN 60825-1:09-10</p>	< 1 mW	635 nm	approx. ± 4°	± 1/4 in. @ 100 ft ± 6 mm/30 m	± 1/4 in. @ 100 ft ± 6 mm/30 m	± 1/4 in. @ 70 ft ± 6 mm/21 m	± 1/16 in. @ 2.5 ft ± 1 mm/0.5 m	Up to 99 ft/30 m	4 x AA					
<table border="1"> <thead> <tr> <th>Type</th> <th>LA-4P</th> <th>Art.No.</th> <th>16145</th> <th>EAN</th> <th>4005069161453</th> </tr> </thead> </table>										Type	LA-4P	Art.No.	16145	EAN	4005069161453
Type	LA-4P	Art.No.	16145	EAN	4005069161453										

* When operated within specified temperature range.

If the beam of a Class 2 laser should accidentally enter the eye of an observer for a short period, the eye is protected by the reflex action of closing the eye-lid and/or looking away. These lasers may therefore be used without any further protective measures. However, you should not look directly into the laser beam.



STABILA spirit levels



STABILA folding rules



STABILA laser measuring equipment



STABILA tape measures



STABILA laser accessories



STABILA straight-edges

Detailed product information on the Web:
www.stabila.de / www.stabila.com

Our Technical Hotline can help you with all your questions on product selection and use:

Telephone +49 6346 309 0 (Germany) / Telephone +1.800.869.7460 (USA)

Of course, you can also send us an e-mail:

info@stabila.de (Germany) / custservice@stabila.com (USA)