

## Diamond Files, electro-plated

**370** Diamond files for off-hand filing machines

---

**370** Diamond needle files

---

**371** Diamond riffler files

---



### Product line marking

Product lines are labelled in the table header with the appropriate tabs. Further information on page **14** and **15**.


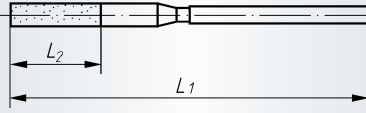
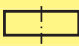
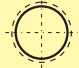
# 370 Diamond Files, electro-plated



Industry

## Diamond files for off-hand filing machines

Ordering example: A34003122126


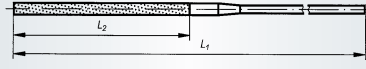
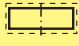
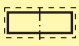

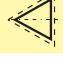




Description		Available profiles	A summary of available shapes	grit sizes	Cross section mm	L <sub>2</sub> mm	L <sub>1</sub> mm	Product-Number	recommended for	
 		<b>Packing unit:</b> 1 pc. per type								
DF 3122	flat, one side coated		D 126	4 x 1	15	50	A34003122126	① ② ③ ④ ⑤ ⑦ ⑨	■	
DF 3130	round		D 126	4	15	50	A34003130126	① ② ③ ④ ⑤ ⑦ ⑨	■	



Industry

## Diamond needle files

Ordering example: A34003140091

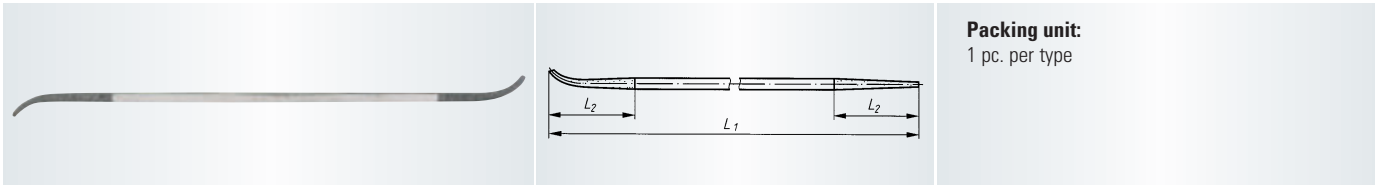
Description		Available profiles	A summary of available shapes	grit sizes	Cross section mm	L <sub>2</sub> mm	L <sub>1</sub> mm	Product-Number	recommended for	
 		<b>Packing unit:</b> 1 pc. per type								
DF 3140	flat		D 91	5,0 x 1,4	70	140	A34003140091	① ② ③ ④ ⑤ ⑦ ⑨	■	
DF 3140	flat		D 126	5,0 x 1,4	70	140	A34003140126	① ② ③ ④ ⑤ ⑦ ⑨	■	
DF 3142	triangular		D 91	3,5 x 3,5	70	140	A34003142091	① ② ③ ④ ⑤ ⑦ ⑨	■	
DF 3142	triangular		D 126	3,5 x 3,5	70	140	A34003142126	① ② ③ ④ ⑤ ⑦ ⑨	■	
DF 3143	square		D 126	2,5 x 2,5	70	140	A34003143126	① ② ③ ④ ⑤ ⑦ ⑨	■	
DF 3144	half-round		D 126	5,2 x 1,9	70	140	A34003144126	① ② ③ ④ ⑤ ⑦ ⑨	■	
DF 3145	round		D 126	3	70	140	A34003145126	① ② ③ ④ ⑤ ⑦ ⑨	■	
DF 3146	knife		D 126	5,0 x 1,4	70	140	A34003146126	① ② ③ ④ ⑤ ⑦ ⑨	■	



Industry

**Diamond files, Rifflers**

Ordering example: A34003110126



**Packing unit:**  
1 pc. per type

Description	Available profiles	A summary of available shapes	grit sizes	Cross section mm	L <sub>2</sub> mm	L <sub>1</sub> mm	Product-Number	recommended for	
DF 3110	bird tongue		D 126	4 x 2	25	150	A34003110126	① ② ③ ④ ⑤ ⑦ ⑨	■
DF 3111	flat		D 126	3 x 1,5	25	150	A34003111126	① ② ③ ④ ⑤ ⑦ ⑨	■
DF 3112	square		D 126	2 x 2	25	150	A34003112126	① ② ③ ④ ⑤ ⑦ ⑨	■
DF 3113	triangular		D 126	3	25	150	A34003113126	① ② ③ ④ ⑤ ⑦ ⑨	■

**What is your experience when using this tool?**



**SLTR Ceramic:**  
As a metal worker, I need a tool that lasts and that grinds quickly and easily. I'm really happy with SLTR Ceramic!



**Moses Kasura**  
Engineering Department

[www.lukas-erzett.com](http://www.lukas-erzett.com)